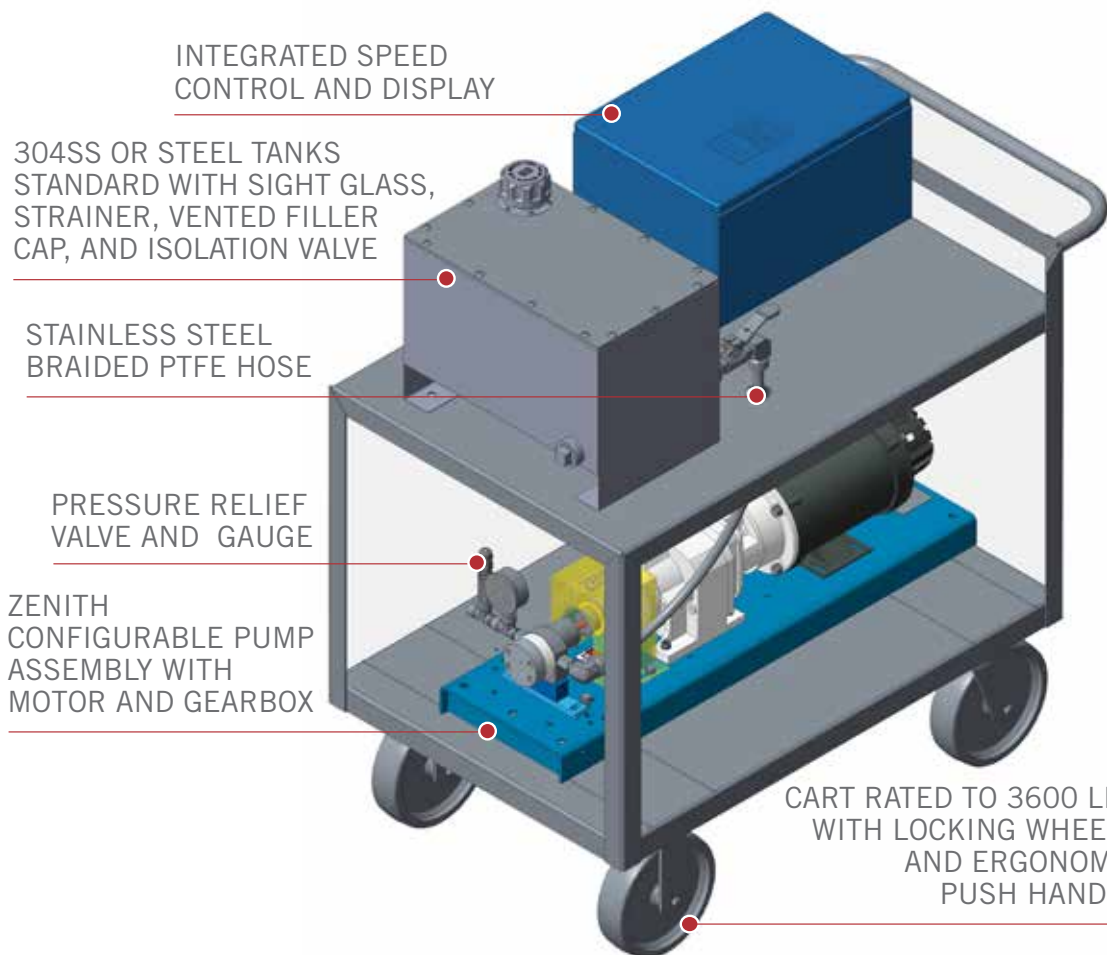


# ZENITH MODULAR SYSTEMS

## ALL-IN-ONE SOLUTION FOR YOUR PRECISION PUMPING APPLICATIONS



**TURNKEY SOLUTION**  
We've done the design, sourcing, and integration work for you.

**VERSATILE**  
Pick only the options you need. Roll it to where you need it, when you need it

**RUGGED**  
Heavy-duty cart, tanks, and accessories designed for industrial environments.

**PRECISE**  
Accurate, repeatable, pulse free Zenith pumps.

IDEAL SOLUTION FOR:		
MARKETS	PERFORMANCE	APPLICATIONS
Consumer Goods	Up to 0.5% accuracy to setpoint	Spray, dispense, blend
Industrial & Chemical	Up to 1200 cc/min or 0.32gpm	Research and development
Life Sciences	Up to 1000 psi	High mix production

**Custom solutions also available at higher pressures, higher flows, and a wide range of applications. Contact our experts at [ae@circor.com](mailto:ae@circor.com)**

**PERFORMANCE | QUALITY | EXPERIENCE | SERVICE**

[www.zenithpumps.com](http://www.zenithpumps.com) | (877) 853-7867 or +1-704-289-6511

