

MR SERIES

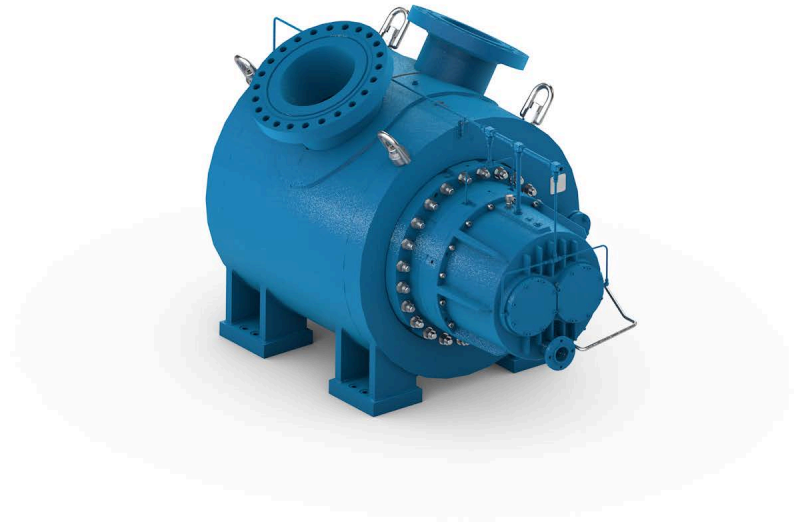
TWO-SCREW PUMPS STANDARD PRODUCT SPECIFICATIONS

Enhanced Oil Recovery

A multiphase system reduces wellhead pressure, enabling increased production, while boosting a full well stream mixture of oil, water and gas. Typically from a wellpad or platform to a central production facility.

The heart of the system is the CIRCOR MR Series multiphase pump, an API 676 3rd edition pump that is capable of handling a wide range of liquids, gas, pressures and temperatures. The pumps are robust machines manufactured under our rigorous standards and QC procedure and are fully tested in house before being integrated into our complete systems.

The MR series is suitable for handling between 0 to 100% gas and is ideal for high capacity production and transportation applications in the Oil & Gas market. The pumps are also available in less common materials (i.e. Super Duplex) and can meet NACE requirements.



PRODUCT SPECIFICATIONS AND FEATURES

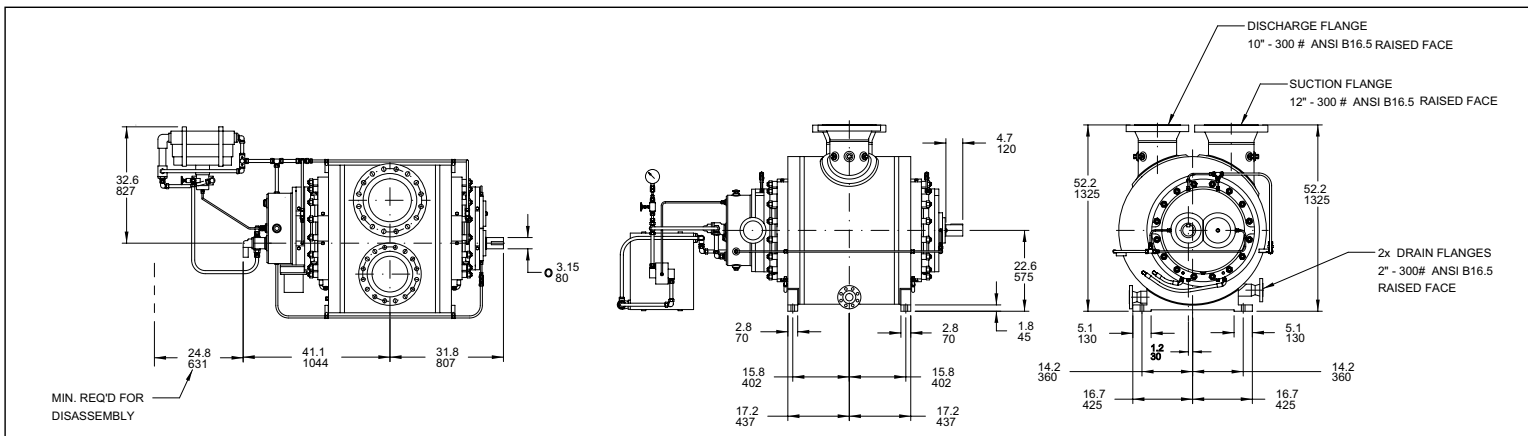
Casing & End Covers	Fabricated Steel, ASTM A516 – Gr 55LCB
Rotors & Shafts	Forged Stainless, ASTM A276-986 431
Replaceable Liner	Cast Iron, ASTM A-48 or Ductile Iron, ASTM A536
Mechanical Seals	Single or Double, API-682 Type
Seal Flush Plans	API-52, API-54, API-Plan 32
Flow Rates Range	Up to 630,000 bpd (up to 4,175 m3hr)
Inlet/Outlet Pressure	Up to 580 psig (40 bar G)
Differential Pressure	Up to 580 psig (40 bar G)
Viscosity	1 to 5,000 cSt
Temperature	40 to 300°F (5 to 150°C)
Speed Range	350 to 2000 RPM
Drive & Rotation	Direct Coupled, CW Facing Drive shaft
Mounting	Horizontal
Suction Flange	300# ANSI RF, ANSI B16.5
Discharge Flange	300# ANSI RF, ANSI B16.5
Drain Connections:	300# ANSI RF, ANSI B16.5

Two-Screw Multiphase Pumping System

MPP Quick Selection Table - 1800 rpm; Pump Performance (suitable for parallel & series operation)

Model	Theoretical Flow Rate (m3/h)	Theoretical Flow Rate (bpd)	Differential Pressure (Bar)	Differential Pressure (psi)	Max Temperature	GVF %	Viscosity Range
MR 150	260	39,000	40	580	300F / 150C	0 - 100%	1 - 5,000 cst
MR 200	500	75,000	40	580	300F / 150C	0 - 100%	1 - 5,000 cst
MR 250	1,500	225,000	40	580	300F / 150C	0 - 100%	1 - 5,000 cst
MR 350	2,000	300,000	40	580	300F / 150C	0 - 100%	1 - 5,000 cst
MR 400	4,175	630,000	40	580	300F / 150C	0 - 100%	1 - 5,000 cst

Typical Dimensions - MR 250



CIRCOR

1710 Airport Road
 Monroe, NC 28110-5020
 Tel: +1.704.289.6511
 Tol: +1.877.853.7867

Oil & Gas Products & Services

ALLWEILER® HOUTTUIN™ IMO® ROSSCOR® WARREN®

CIRCOR, ALLWEILER, HOUTTUIN, IMO, ROSSCOR, and WARREN are registered trademarks of the CIRCOR or its subsidiaries in the U.S. and/or other countries. © 2018 CIRCOR International. All rights reserved.
 GB-OG012-MR-03/16 rev. 1 03/18



HOUTTUIN™