

LSC PRE-ENGINEERED LUBE OIL SYSTEMS...

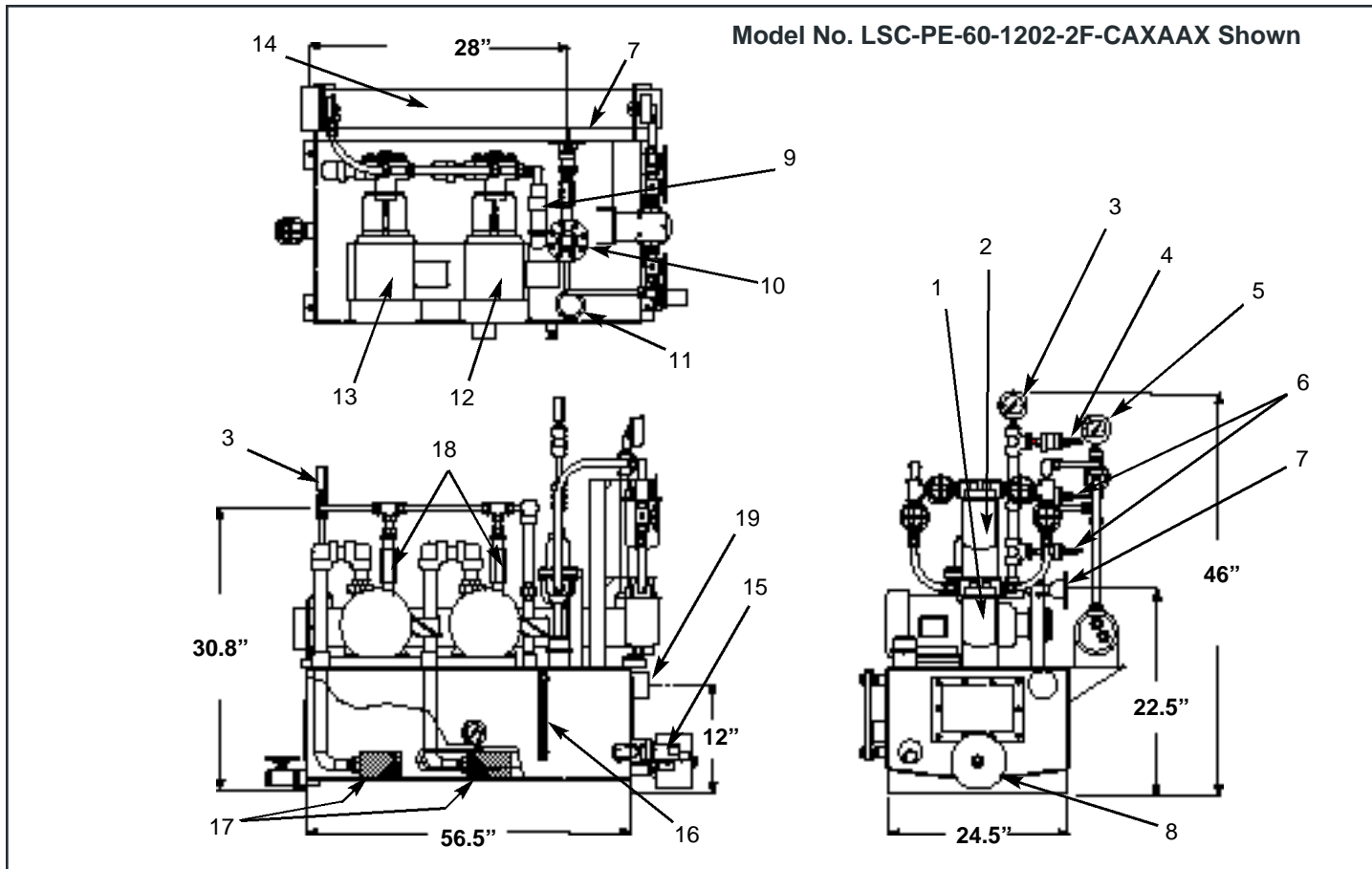
QUALITY AND QUICK DELIVERY



IDEAL FOR NEW PROJECTS AND REPLACEMENTS/UPGRADES.

- **Stainless Steel Construction; Reservoir, Piping, Tubing And Valves**
- **Quality Assurance Through Strict Manufacturing Procedures**
- **Comprehensive Factory Run-In Test And LSC Warranty Protection**
- **Multiple Options**
 - **Flow Rates From 1-12 GPM**
 - **Two Reservoir Sizes (36 & 60 Gallons)**
 - **Single or Dual Pumps & Filters**
 - **Brass Shell/Copper Tube Cooler or Stainless Steel Cooler (50,000 Max.)**
 - **Pressure, Level & Temperature Switches**
 - **Electric Immersion Heater, Temperature Control Valve**
- **Quick Delivery; Most Units Ship In Three Weeks**
- **Set of Complete Drawings, Bill of Material And Operating And Maintenance Manual**
- **Eliminate Time Consuming Engineering Effort To Rework Existing Systems**
- **Designed For Use with Pumps, Blowers, Electric Motors And Gear Boxes**

LSC PRE-ENGINEERED LUBE OIL SYSTEMS



LEGEND

1	SPIN-ON OIL FILTER	11	FILL CAP w/ BREATHER
2	AUX. SPIN-ON OIL FILTER *	12	PUMP / MOTOR ASSEMBLY
3	PRESSURE GAUGE	13	AUX. PUMP / MOTOR ASSEMBLY *
4	LOW PRESSURE SWITCH *	14	WATER COOLED HEAT EXCHANGER
5	TEMPERATURE GAUGE	15	LEVEL SWITCH *
6	ADDITIONAL PRESSURE SWITCHES * (2) FOR ALARM AND SHUTDOWN	16	LEVEL GAUGE
7	OIL OUTLET	17	SUCTION SCREEN
8	ELECTRIC IMMERSION OIL HEATER *	18	CHECK VALVE
9	RELIEF VALVE	19	OIL RETURN
10	BY-PASS CONTROL VALVE	*	OPTIONAL FEATURES

FOR MORE INFORMATION ON PRE-ENGINEERED LUBE OIL SYSTEMS:



1740 Stebbins Drive
 HOUSTON, TEXAS 77043
 713.464.6266 • FAX: 713.464.9871 • 1.800.800.LUBE
[Click here to contact LSC](http://www.lsc.com) • www.lsc.com