

CFHN SERIES PUMP

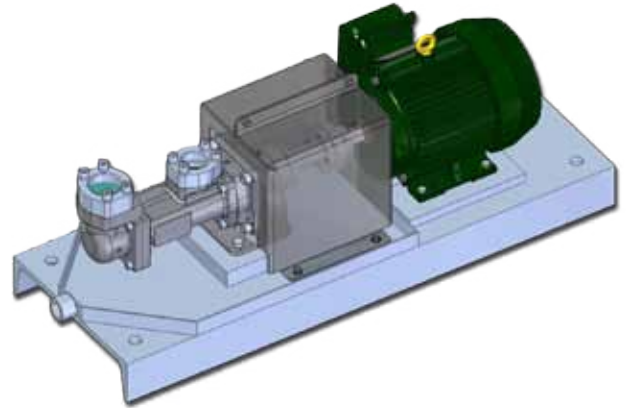
THREE-SCREW PUMPS STANDARD PRODUCT SPECIFICATIONS

CIRCOR INDUSTRIAL SOLUTIONS

The CFHN series pump is suitable for operation on clean lubricating liquid and is especially well-suited for medium pressure lubrication, hydraulic and control oil services. Typical applications are found on rotating machinery and other equipment where forced oil flow is required.

The CFHN series is available in seventeen displacements across five frame sizes. The pump case and covers are available in cast iron material for better thermal properties.

The CFHN series three-screw pump delivers the benefits that matter most to OEM's: quiet operation, long service life, low pressure ripple and maximum energy savings, resulting in the highest "Total Savings of Ownership" across the entire life cycle of your pumping equipment.

**CFHN - 60 WITH ELECTRIC MOTOR**

Typical sizes 20 through 330

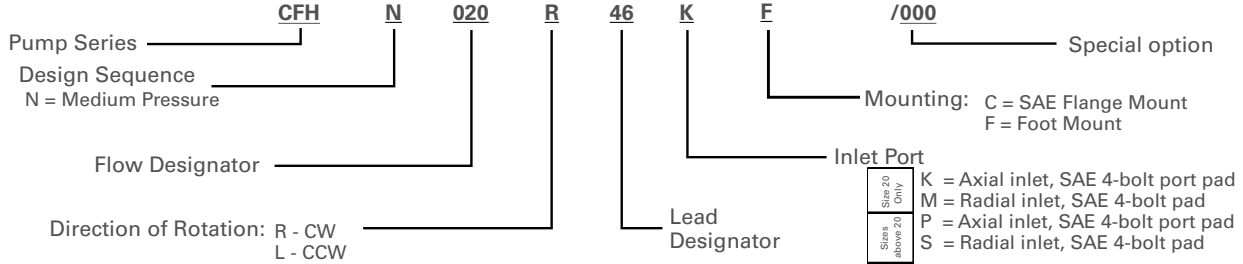
PRODUCT SPECIFICATIONS

Casing / rotor housing	Gray cast iron
Power rotor	Ductile iron
Idler rotor	Gray cast iron
O-rings	Fluorocarbon
Seal & bearing	Bellows mechanical shaft seal. (Carbon vs. silicon carbide) Open, product lubricated ball bearing
Outlet pressure	To 41.3 BAR (600 psi-g) - not to exceed 40 BAR differential (580 psi-d)
Inlet pressure	3.4 BAR (50 psi-g)
Viscosity	2 cSt (33 ssu) minimum - 650 cSt (3000 ssu) maximum
Temperature	-18 - 100° C (0 - 212° F)
Speed	To 3600 RPM
Drive	Direct only
Rotation	Clockwise facing pump driveshaft (CCW optional)
Mounting	Face flange (foot mount optional) - Horizontal or Vertical
Port connections	ISO 6162-1 Type 1 (SAE Code 61) drilled and tapped for metric bolting; Inlet head is rotatable in 90° increments
Filtration	60 mesh recommended
Accessories	Available with or without electric motor and SAE port fittings

CFHN SERIES PUMP

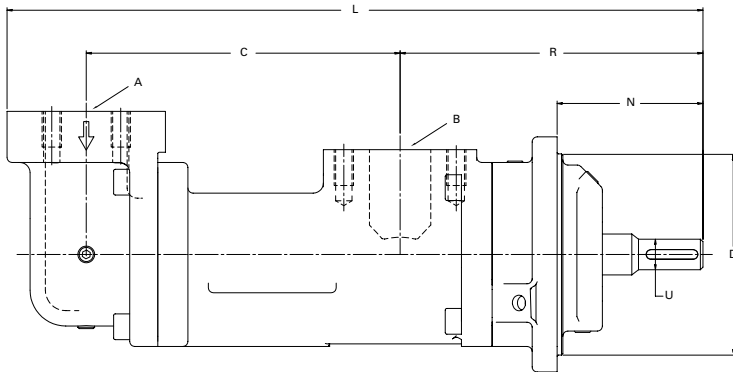
Pumps in the CFHN series are fitted with a friction drive, single spring mechanical shaft seal, with elastomeric components made of fluorocarbon material. The ball bearing is located within the pumped liquid and receives constant lubrication and cooling via the pumped fluid. Inlet and outlet ports are per ISO6162-1 Type 1 (SAE Code 61) and are rotatable in 90° increments. The mounting flange is per ISO 3019/2.

CFHN PUMP NOMENCLATURE AND TYPICAL DIMENSIONS

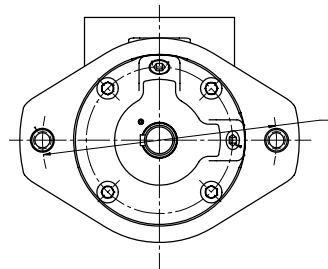


Pump Size	A		B		C		D		E		L		N		R		U	
	MM	Inch	MM	Inch	MM	Inch	MM	Inch	MM	Inch	MM	Inch	MM	Inch	MM	Inch	MM	Inch
20	25	1	19	0.75	118.30	4.66	80.01	3.15	109	4.29	283.4	11.16	56	2.20	135.8	5.35	14.0	0.551
40	38	1.5	25	1	152.30	6.00	124.99	4.92	160	6.30	369.8	14.56	91	3.55	176.2	6.94	16.0	0.629
60/90	51	2	38	1.50	194.90	7.67	124.99	4.92	160	6.30	432.3	17.02	91	3.55	188.1	7.41	19.0	0.748
140/170	76	3	51	2	255.60	10.06	200	199.92	250	9.84	581.6	22.90	92	3.62	257.8	10.15	32.0	1.259
330	102	4	64	2.5	319.30	12.57	200	99.92	250	9.84	664.2	26.15	92	3.62	267.3	10.52	32.0	1.259

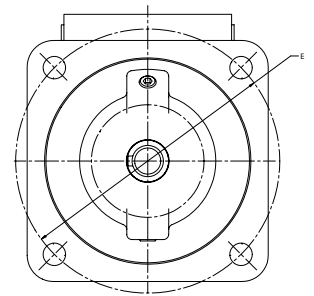
CFHN 20 - 90



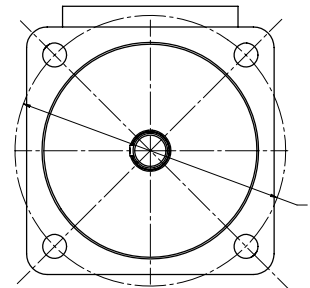
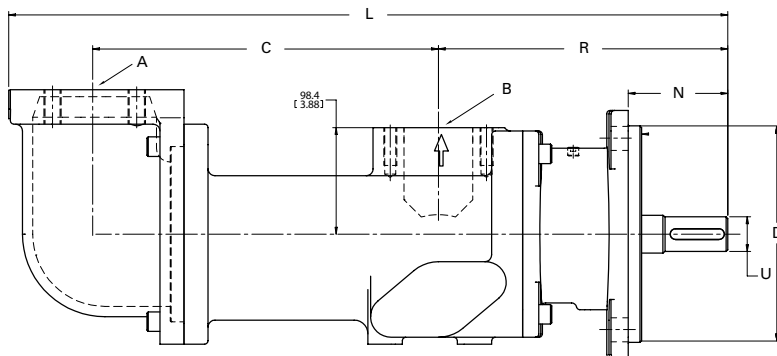
CFHN 20



CFHN 40 - 90



CFHN 140 - 330



CIRCOR

1710 Airport Road
 Monroe, NC 28110-5020
 Tel: +1.704.289.6511
 Tol: +1.877.853.7867

Industrial Solutions Products & Services



ALLWEILER® HOUTTUIN™ IMO® WARREN®